

# NDS CATCH BASIN FLOW CAPACITIES

## SPEE-D BASIN

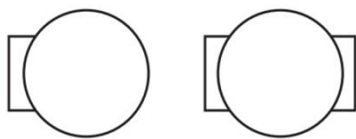
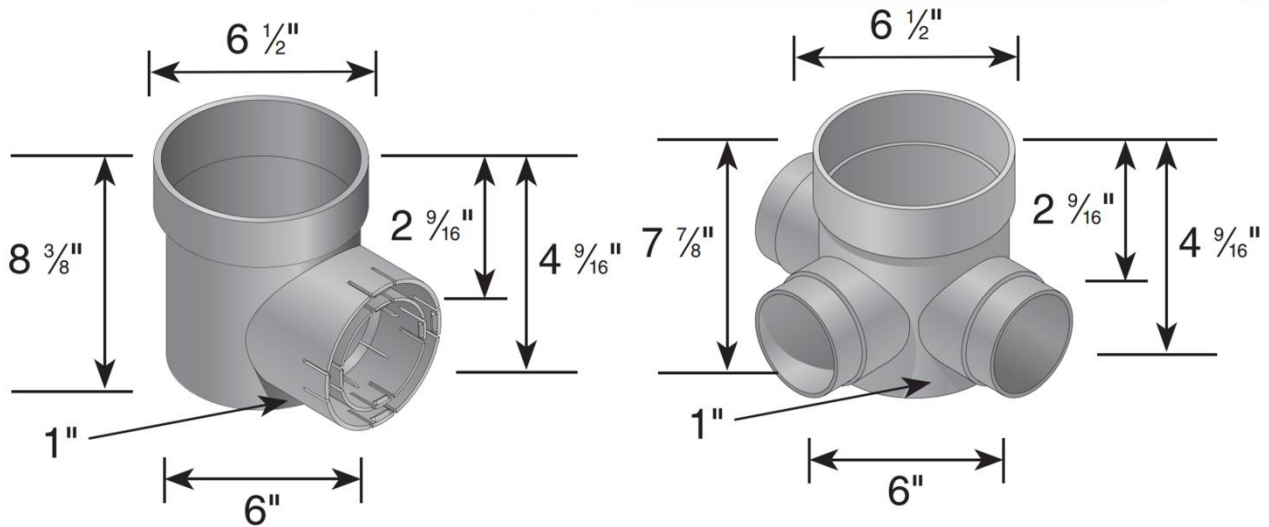
Part #: 101, 201, 250, 300, 350

### GRATE CAPACITIES

Grate Number(s)	Description	Flow Rate with 1/2" Head
10, 20, 30, 30S	8" Round Grate	35.18 GPM
40, 50, 60, 60S	6" Round Grate	27.84 GPM
80, 81, 90, 90S	6" Atrium Grate	86.88 GPM

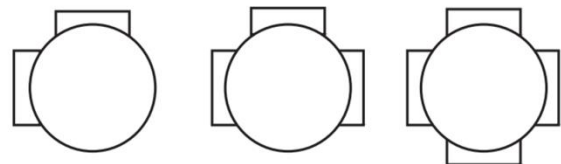
### OUTLET FLOW CAPACITIES

Part #	Flow Rate per Outlet
101, 201	68.41GPM
250, 300, 350	83.55 GPM



101

201



250

300

350

## 9" CATCH BASIN

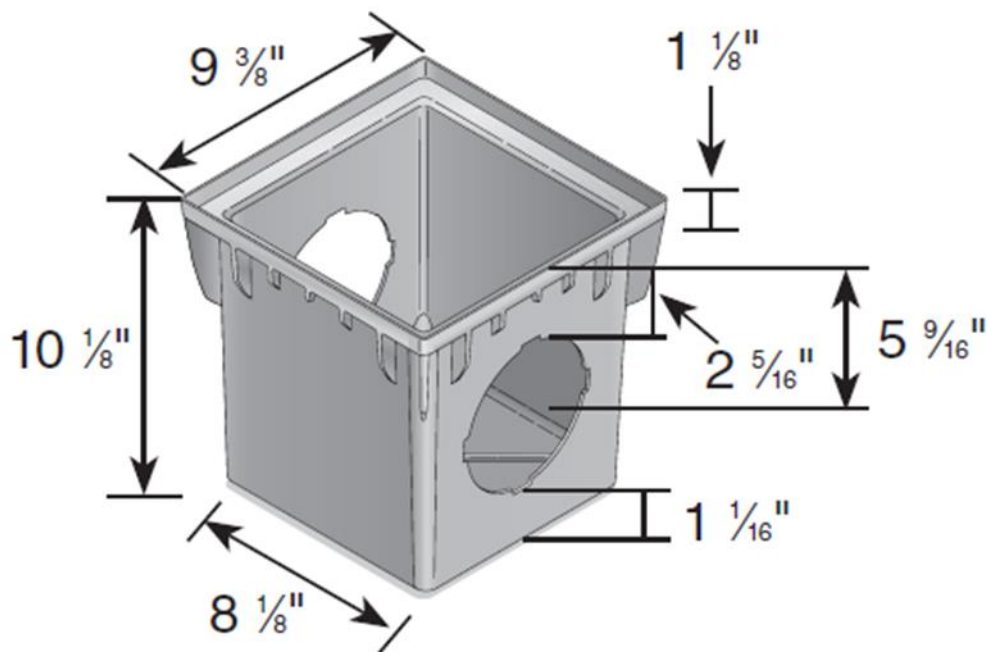
### Part #: 900, 900-4

#### GRATE CAPACITIES

Grate Number(s)	Description	Flow Rate with 1/2" Head
913	9" Square Ductile Iron Grate	66.38 GPM
915	9" Square Galvanized Steel Grate	189.48 GPM
930B	9" Square Brass Grate	170.89 GPM
980, 990, 999, 999S	9" Square Grate	114.69 GPM
980*	9" Square Grate	92.29 GPM
981, 991	9" x 9" Atrium Grate	136.28 GPM

#### OUTLET FLOW CAPACITIES

Part #	Flow Rate per Outlet
1242, 1243	67.64 GPM
1245	Top: 59.58 GPM Middle: 66.34 GPM Bottom: 73.45 GPM
1266	200.19 GPM



## 12" CATCH BASIN

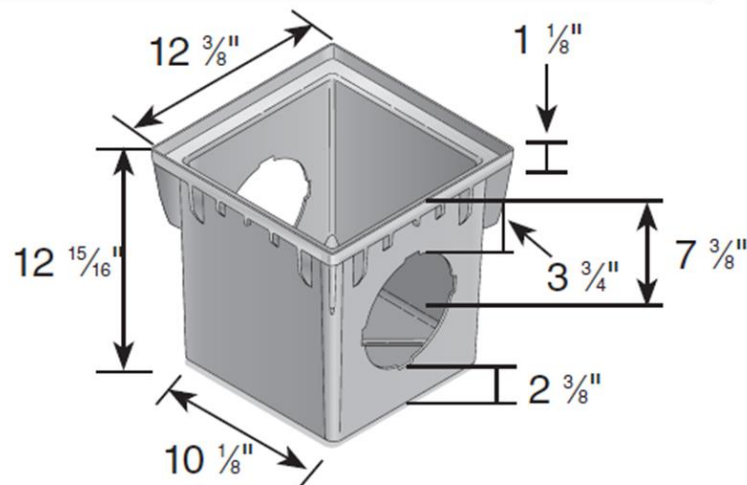
Part #: 1200, 1203, 1207

### GRATE CAPACITIES

Grate Number(s)	Description	Flow Rate with ½" Head
1210, 1211, 1212, 1212S	12" x 12" Square Grate	155.28 GPM
1211*	12" x 12" Square Grate	157.79 GPM
1213	12" x 12" Square Cast Iron Grate	113.80 GPM
1215	12" x 12" Square Galvanized Steel Grate	348.07 GPM
1280, 1290	12' x 12" Atrium Grate	154.79 GPM
1218, 1218S, 1218GR, 1218GY	12" Botanical Plastic	74.77 GPM
1218CI	12" Botanical Cast Iron	76.60 GPM
1224, 1224S, 1224GR, 1224GY	12" Wave Plastic	78.53 GPM
1224CI	12" Wave Cast Iron	78.31 GPM

### OUTLET FLOW CAPACITIES

Part #	Flow Rate per Outlet
1242, 1243	78.10
1245	Top: 70.49 GPM Middle: 76.30 GPM Bottom: 83.41 GPM
1266	247.12 GPM
1889	238.20 GPM



## 12" NEXT GENERATION CATCH BASIN

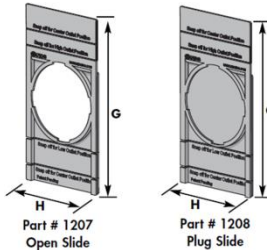
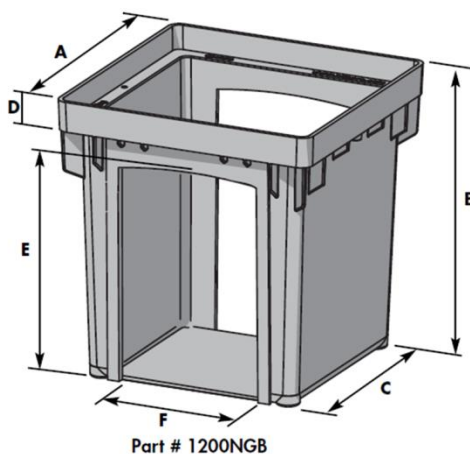
### Part #: 1200NGB

#### GRATE CAPACITIES

Grate Number(s)	Description	Flow Rate with 1/2" Head
1210, 1211, 1212, 1212S	12" x 12" Square Grate	155.28 GPM
1211*	12" x 12" Square Grate	157.79 GPM
1213	12" x 12" Square Cast Iron Grate	113.80 GPM
1215	12" x 12" Square Galvanized Steel Grate	348.07 GPM
1280, 1290	12' x 12" Atrium Grate	154.79 GPM
1218, 1218S, 1218GR, 1218GY	12" Botanical Plastic	74.77 GPM
1218CI	12" Botanical Cast Iron	76.60 GPM
1224, 1224S, 1224GR, 1224GY	12" Wave Plastic	78.53 GPM
1224CI	12" Wave Cast Iron	78.31 GPM

#### OUTLET FLOW CAPACITIES

Part #	Flow Rate per Outlet
1242, 1243, 1245, 1266	Top: 76.29 GPM Middle: 84.93 GPM Bottom: 97.42 GPM
1889	Top: N/A Middle: 403.52 GPM Bottom: 481.37 GPM



#### Catch Basin Dimensions

A	Top Width/Length	12 3/8"
B	Height	12 13/16"
C	Bottom Width/Length	10 1/8"
D	Height of Grating Shelf	1 1/4"
E	Opening Height	10 3/4"
F	Opening Width	7 1/8"

#### Outlet Slide Dimensions

G	Height Before Install	15"
H	Width	7 13/16"

## 18" CATCH BASIN

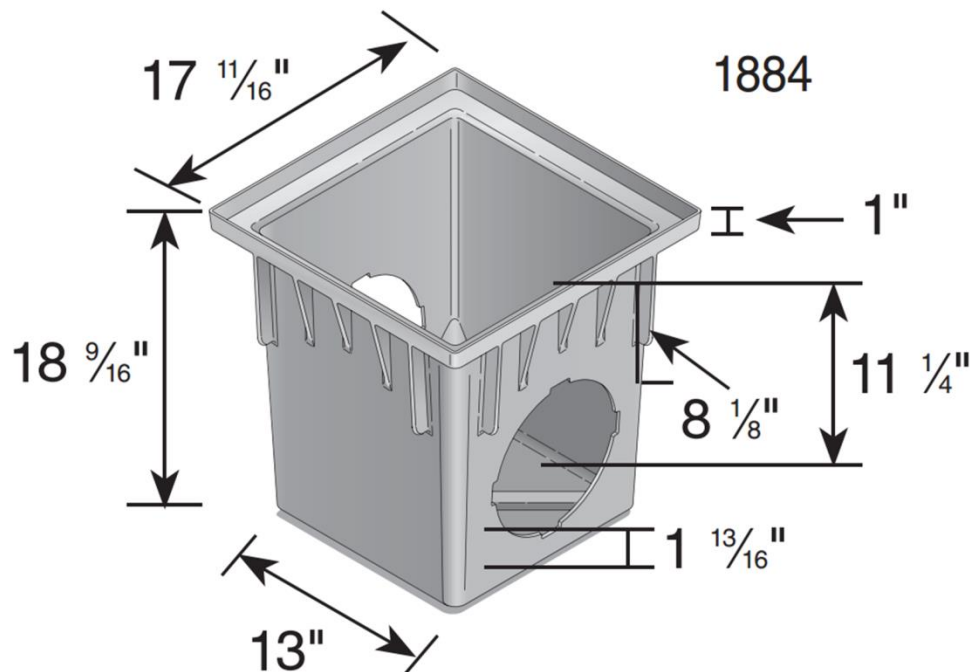
Part #: 1882, 1884

### 18" Catch Basin

Grate Number(s)	Description	Flow Rate with 1/2" Head
1810, 1811, 1812	18" x 18" Square Grate	264.03 GPM
1813	18" x 18" Cast Iron Square Grate	338.65 GPM
1815	18" Square Galvanized Steel Grate	731.13 GPM
1881, 1891	18" x 18" Atrium Grate	273.49 GPM

### OUTLET FLOW CAPACITIES

Part #	Flow Rate per Outlet
1242, 1243 (with reducer ring)	102.50 GPM
1245 (with reducer ring)	Top: 97.53 GPM Middle: 103.88 GPM Bottom: 107.24 GPM
1266 (with reducer ring)	349.48 GPM
1888	439.80 GPM
1889	336.87 GPM



## 18" EXPANDABLE CATCH BASIN

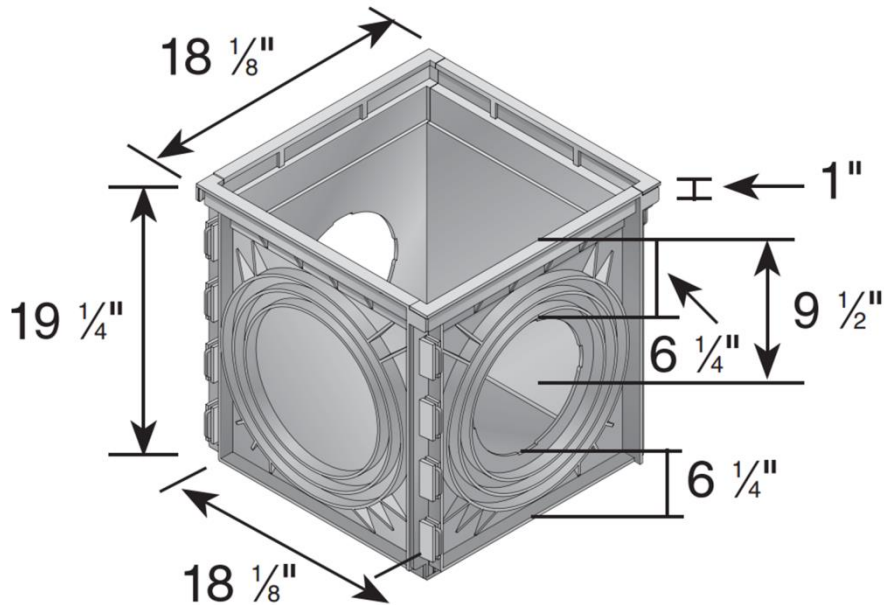
Part #: 1800, 1804

### 18" Catch Basin

Grate Number(s)	Description	Flow Rate with 1/2" Head
1810, 1811, 1812	18" x 18" Square Grate	264.03 GPM
1813	18" x 18" Cast Iron Square Grate	338.65 GPM
1815	18" Square Galvanized Steel Grate	731.13 GPM
1881, 1891	18" x 18" Atrium Grate	273.49 GPM

### OUTLET FLOW CAPACITIES

Part #	Flow Rate per Outlet
1242, 1243, 1245 (with reducer ring)	92.30 GPM
1266 (with reducer ring)	308.90 GPM
1888	389.25 GPM



## 24" CATCH BASIN

Part #: 2400, 2404

### 24" Catch Basin

Grate Number(s)	Description	Flow Rate with 1/2" Head
2411, 2412	24" x 24" Square Grate	708.77 GPM
2413	24" x 24" Square Cast Iron Grate	602.65 GPM
2415	24" x 24" Square Galvanized Steel Grate	1292.33 GPM

### OUTLET FLOW CAPACITIES

Part #	Flow Rate per Outlet
1242, 1243 (with reducer ring)	120.63 GPM
1245 (with reducer ring)	Top: 116.75 GPM Middle: 121.80 GPM Bottom: 124.40 GPM
1266 (with reducer ring)	419.01 GPM
1888	532.62 GPM
2410	Inner Most Ring: 1147.01 GPM 2 <sup>nd</sup> Ring: 1457.67 GPM 3 <sup>rd</sup> Ring: 1542.18 GPM Outer Ring: 1940.08 GPM

