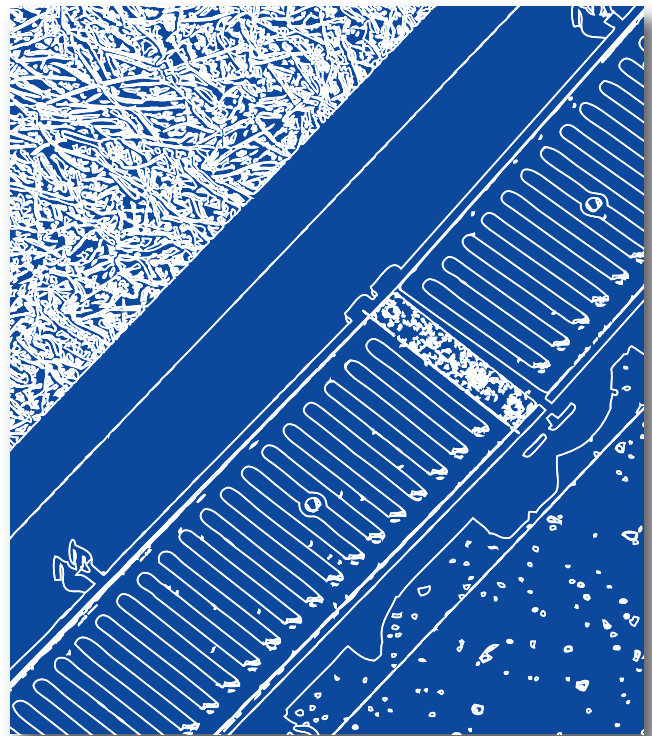


# TECHNICAL SPECIFICATION GUIDE

## **EZ-TRACK™** **DURA SLOPE™ TRENCH DRAIN SYSTEM**



### **NDS Customer Service**

851 N. Harvard Ave, Lindsay, CA 93247  
Phone: (800) 726-1994 • (559) 562-9888  
Fax: (800) 726-1998 • (559) 562-4488  
[www.NDSPRO.com](http://www.NDSPRO.com)



**TABLE OF CONTENTS**

**Overview .....1**

**Product Specifications.....2**

**Product Features.....3**

**Dura Slope™ Trench Drain System .....4-5**

**Dura Slope™ Trench Drain Grates .....6**

**Radius Coupling .....7**

**Radius Coupling Grates .....8**

**Ductile Iron Frame.....9**

**Catch Basin .....10**

**Trash Bucket .....11**

**EZ-Track™ Applications .....12-15**

**Load Class Installation .....16**

This information is relevant *only* to the product(s) identified within this document and is not intended for use with any other products. Please consult NDS Technical Services at (888) 825-4716 or e-mail TechService@NDSpro.com if you have any questions pertaining to specifications, installations, or recommended applications that are beyond the scope of this document.  
 BEFORE BEGINNING ANY PROJECT, CONSULT A CURRENT EDITION OF THESE SPECS AT: [WWW.NDSPRO.COM](http://WWW.NDSPRO.COM)

## Overview

NDS, the leading manufacturer of structural foam polyolefin drainage structures and landscape products, is pleased to introduce the EZ-Track<sup>™</sup> Dura Slope<sup>™</sup> Trench Drain System.

The EZ-Track<sup>™</sup> Dura Slope<sup>™</sup> Trench Drain System is comprised of dependable, high-quality Dura Slope<sup>™</sup> and the new Dura Slope<sup>™</sup> Radius Coupling. Designed specifically for track installations, the radius coupling allows 3 degrees of movement between each Dura Slope<sup>™</sup> channel section, making an 80 to 120 foot radius easily achievable. With its lightweight channel and interlocking pieces that snap smoothly into place, the EZ-Track<sup>™</sup> system saves time and labor while providing a superior drainage system that is simple to maintain.

Each component of the EZ-Track<sup>™</sup> Dura Slope<sup>™</sup> Trench Drain System has been specifically designed and manufactured to ensure strength, structural integrity, and durability while incorporating excellent hydraulic characteristics and chemical resistance. The new EZ-Track<sup>™</sup> system presents an economical and lightweight alternative to traditional polymer concrete trench drain systems, while offering ease of installation.

**NDS Customer Service**

851 N. Harvard Ave, Lindsay, CA 93247  
Phone: (800) 726-1994 • (559) 562-9888  
Fax: (800) 726-1998 • (559) 562-4488  
[www.NDSPRO.com](http://www.NDSPRO.com)

## Product Specifications

### Dura Slope™ Trench Drains

<b>Material</b>	Manufactured from molded, structural foam HDPE with UV inhibitors.
<b>Channel Sizes</b>	48" length, 6" width, 3.998" to 12.062" inner depth range.
<b>Strength</b>	Material withstands a compressive strength of 2,900 psi, with a material tensile stress of 4,550 psi and material flexural strength of 5,800 psi.
<b>Weight per Unit</b>	Ranges between 7.452 lbs. for shallow trench drains to 16.06 lbs for deep trench drains
<b>Pre-Sloped Run Lengths</b>	194 feet of continuous slope; 266 feet with neutral sections added.
<b>Pipe Outlet Sizes</b>	3", 4", 6", 8" pipe.

### Dura Slope™ Trench Drain Grates

<b>Materials</b>	Cast iron, ductile iron, plastic (structural foam polyolefin).
<b>Sizes</b>	24" length, 6" width.
<b>Weight per Unit</b>	Ranges between 2.92 lbs. for polyolefin to 16.0 lbs. for ductile iron.
<b>Colors</b>	Black, gray, white, green, sand, red.
<b>Load Class</b>	Loads are based upon encasing the product in concrete, and on grate selection. Plastic (structural foam polyolefin) meets Class B load rating (61-175 psi), while ductile iron and cast iron meet Class D load rating (326-575 psi).

### Dura Slope™ Radius Couplings

<b>Material</b>	Manufactured from molded, structural foam HDPE with UV inhibitors.
<b>Sizes</b>	All couplings are 1.125" long and 6.95" wide, and are available with inner depths of 6.35", 7.36", 8.37", and 9.37".

### Dura Slope™ Radius Coupling Grates

<b>Materials</b>	Plastic (structural foam polyolefin), ductile iron.
<b>Sizes</b>	1.125" length, 6" width.
<b>Colors</b>	Black, gray, white, green, sand, red
<b>Load Class</b>	Loads are based upon encasing the product in concrete, and on grate selection. Plastic (structural foam polyolefin) meets Class B load rating (61-175 psi), while ductile iron meets Class D load rating (326-575 psi)..

## Product Features

### Durable Material:

Polyethylene is tough and hard to break, not brittle like polymer concrete, reducing breakage and eliminating costly delays. UV inhibitors protect against deterioration and discoloration due to exposure to sunlight.

### Lightweight:

Dura Slope™ is light and easy to carry. At 7.5 to 16 lbs. per trench drain section, there's less time and effort spent to install.

### Ease of Assembly:

Interlocking tongue and groove joints on both Dura Slope™ trench drains and Dura Slope™ radius couplings allow parts to slide into place easily, then lock with a snap. No special tools, clamps or screws are needed.



### Curved Radius Forms Quickly and Easily:

The Dura Slope™ radius coupling has a  $\pm 3^\circ$  range of angular motion. This feature allows Dura Slope™ trench drains to form a curved radius at the end of the track.

### Flexibility of Design:

The EZ-Track™ system allows for flexibility of design by allowing various radii to be created. Extended to its maximum range of  $3.18^\circ$ , the tightest radius possible with one radius coupling between each Dura Slope™ trench drain section would be 72 ft. This would consist of 60 4-foot Dura Slope™ trench drain sections and 59 radius couplings. To obtain a larger radius, simply add additional trench drains and couplings to the length of the run. With EZ-Track™, the most common track radii of 80' - 120' is easily obtained.

### Reduced Clogging of System:

6-inch-wide grates on the Dura Slope™ trench drains and radius couplings mean less debris build up and clogging than a slot drain, with a higher inflow capacity. To clean out the drain, simply remove the grate.

### Neutral and Sloped Sections Available:

While the EZ-Track™ radius sections remain neutral to allow for the insertion of the radius coupling, EZ-Track™ straight runs may be sloped or neutral due to the offerings of the Dura Slope™ product line. For an example of an application with both neutral and sloped sections, please refer to the "EZ-Track™ Applications" section of this guide.

### Joints Locked on Straight Runs:

DuraLoc™ integral joint lock between sections of Dura Slope™ trench drain prevent joint movement during installation, securing alignment and ensuring straight trench drain runs.

### Various Grate Options:

EZ-Track™ offers grates that are ADA compliant, as well as a heel-proof option. Grates are available in cast iron, ductile iron, and plastic.

### Blank Grates and Grate Screws Included:

Each section of Dura Slope™ trench drain comes with a blank grate insert that eliminates the use of plywood. Each Dura Slope™ radius coupling includes a standard grate, which can be used as a blank or as a functioning grate. Grate screws are included with all Dura Slope™ trench drains and radius couplings.

### Traffic Rated:

Depending on the grate selection, EZ-Track™ is rated up to Class D, for heavy vehicular traffic.

## Dura Slope™ Trench Drain System

### Material Composition

Dura Slope™ is manufactured from molded, structural foam HDPE with UV inhibitors, with a nominal outside top dimension of 6-5/8" (168.3mm). Trench drain has an inside nominal flow path width of 4" (101.6mm), with a bottom radius of 2" (50.8mm) to facilitate sediment removal. The system includes neutral and pre-sloped sections to provide variable trench depth as required by site conditions. Pre-sloped sections have a slope of 0.7%.

Dura Slope™ trench drain and grates are designed to withstand loads up to Load Class D (up to 575psi), when installed per the appropriate installation methods (see NDS installation instructions and grate specifications included in the Dura Slope™ catalog). Grates are installed per manufacturer load rating recommendations, and are attached to the trench drain using stainless steel screws with the manufacturer-supplied Pro Fit™ locking system. The trench drain includes Leveloc™ integral re-bar supports located at 24" (60cm) intervals along each side of the trench drain to provide height adjustment using #4 re-bar (1/2") during installation. The trench drain has tongue and groove Dura Loc™ joints that ensure precise alignment during installation, with snap-lock mechanisms to eliminate joint movement.

### Molding Technique

Dura Slope™ is proudly manufactured in the U.S.A. in Lindsay, California. The trench drains are injection molded to exacting specifications to a temperature range that will not damage the molecular chain of the polymer. The use of high quality resins coupled with computerized manufacturing technologies guarantees the Dura Slope™ trench drain system will preserve in strength over time.

### Testing Methods

The Dura Slope™ trench drain and grates undergo a battery of tests with each production run, as is the process with all of the products manufactured by NDS. All of the manufacturing tests are conducted within the manufacturing cycle to assure a quality-finished product.

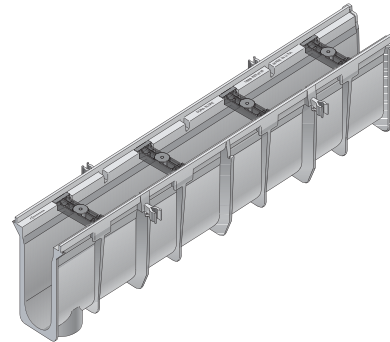
Compression tests are used to determine the load strength of NDS trench drains. Material absorption rate shall not exceed .01%. Material shall withstand a compressive strength of 2900 psi. Material tensile stress shall be 4550 psi and material flexural strength shall be 5800 psi. The Dura Slope™ System has the ability to withstand freeze/thaw cycles and provide chemical resistance, including road salt.

# DURA SLOPE™

## TRENCH DRAINS

Dura Slope™ is a 6-5/8" wide, 4-foot-long trench drain system. Each trench drain section is molded of gray structural foam polyethylene with UV inhibitors, and has a 4" inside diameter with a 2" radius bottom. The system consists of 4-foot trench drain sections, including 24 pre-sloped trench drain sections and 9 neutral trench drain sections. The sloped trench drain sections have a built-in slope of 0.7%, and enable the system to extend to a length of 96 feet with a continuous slope.

Offering trench drains in both neutral and pre-sloped sections of various depths allow for flexibility of design, and make the EZ-Track™ Dura Slope™ trench drain system ideal for a wide range of track applications.



Part No.	Description	Flow Rate GPM	Min. Inner Depth	Max. Inner Depth	Min. Outer Depth	Max. Outer Depth	Wt. Ea. (lbs.)
DS-090N	3.99" Deep Neutral Dura Slope™ Trench Drain	75	3.998	3.998	5.354	5.760	7.45
DS-091	3.99" to 4.34" Deep Dura Slope™ Trench Drain	75	3.998	3.998	5.690	5.770	7.52
DS-091N	4.34" Deep Neutral Dura Slope™ Trench Drain	89	4.334	4.334	5.692	6.103	7.81
DS-092	4.34" to 4.67" Deep Dura Slope™ Trench Drain	89	4.334	4.670	6.062	6.106	7.92
DS-093	4.67" to 5.00" Deep Dura Slope™ Trench Drain	103	4.670	5.006	6.362	6.442	8.27
DS-094	5.00" to 5.34" Deep Dura Slope™ Trench Drain	117	5.006	5.342	6.698	6.778	8.64
DS-094N	5.34" Deep Dura Slope™ Trench Drain	131	5.342	5.342	6.700	7.111	8.93
DS-095	5.34" to 5.68" Deep Dura Slope™ Trench Drain	131	5.342	5.678	7.034	7.114	8.99
DS-096	5.68" to 6.01" Deep Dura Slope™ Trench Drain	145	5.678	6.014	7.370	7.450	9.36
DS-097	6.01" to 6.35" Deep Dura Slope™ Trench Drain	159	6.014	6.350	7.706	7.786	9.74
DS-097N	6.35" Deep Neutral Dura Slope™ Trench Drain	173	6.350	6.350	7.708	8.119	10.04
DS-098	6.35" to 6.69" Deep Dura Slope™ Trench Drain	173	6.350	6.686	8.042	8.122	10.11
DS-099	6.69" to 7.02" Deep Dura Slope™ Trench Drain	187	6.686	7.022	8.378	8.458	10.48
DS-100	7.02" to 7.36" Deep Dura Slope™ Trench Drain	201	7.022	7.358	8.714	8.794	10.86
DS-100N	7.36" Deep Neutral Dura Slope™ Trench Drain	215	7.358	7.358	8.716	9.127	11.16
DS-101	7.36" to 7.69" Deep Dura Slope™ Trench Drain	215	7.358	7.694	9.050	9.130	11.23
DS-102	7.69" to 8.03" Deep Dura Slope™ Trench Drain	229	7.694	8.030	9.386	9.466	11.60
DS-103	8.03" to 8.37" Deep Dura Slope™ Trench Drain	243	8.030	8.366	9.722	9.802	11.98
DS-103N	8.37" Deep Neutral Dura Slope™ Trench Drain	257	8.366	8.366	9.724	10.135	12.27
DS-104	8.37" to 8.70" Deep Dura Slope™ Trench Drain	257	8.366	8.702	10.058	10.138	12.34
DS-105	8.70" to 9.04" Deep Dura Slope™ Trench Drain	271	8.702	9.038	10.394	10.474	12.71
DS-106	9.04" to 9.37" Deep Dura Slope™ Trench Drain	285	9.038	9.374	10.730	10.810	13.07
DS-106N	9.37" Deep Neutral Dura Slope™ Trench Drain	299	9.374	9.374	10.732	11.143	13.39
DS-107	9.37" to 9.70" Deep Dura Slope™ Trench Drain	299	9.374	9.710	11.066	11.146	13.4
DS-108	9.70" to 10.05" Deep Dura Slope™ Trench Drain	313	9.710	10.046	11.402	11.482	13.83
DS-109	10.05" to 10.38" Deep Dura Slope™ Trench Drain	327	10.046	10.382	11.738	11.818	14.20
DS-109N	10.38" Deep Neutral Dura Slope™ Trench Drain	341	10.382	10.382	11.740	12.151	14.50
DS-110	10.38" to 10.71" Deep Dura Slope™ Trench Drain	341	10.382	10.718	12.074	12.154	14.57
DS-111	10.71" to 11.05" Deep Dura Slope™ Trench Drain	355	10.718	11.054	12.410	12.490	14.95
DS-112	11.05" to 11.39" Deep Dura Slope™ Trench Drain	368	11.054	11.390	12.746	12.826	15.32
DS-112N	11.39" Deep Neutral Dura Slope™ Trench Drain	382	11.390	11.390	12.785	13.158	15.6
DS-113	11.39" to 11.72" Deep Dura Slope™ Trench Drain	382	11.390	11.726	13.082	13.162	15.69
DS-114	11.72" to 12.06" Deep Dura Slope™ Trench Drain	396	11.726	12.062	13.418	13.498	16.06

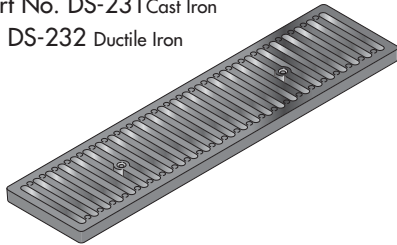
Note: All dimensions are nominal. All weights are for shipping purposes only. Availability is subject to change.

### NDS Customer Service

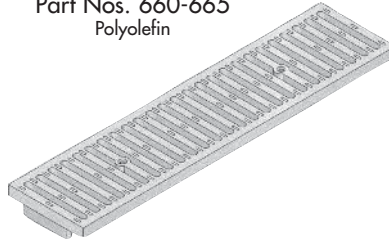
851 N. Harvard Ave, Lindsay, CA 93247  
 Phone: (800) 726-1994 • (559) 562-9888  
 Fax: (800) 726-1998 • (559) 562-4488  
[www.NDSPRO.com](http://www.NDSPRO.com)

# DURA SLOPE™ TRENCH DRAIN GRATES

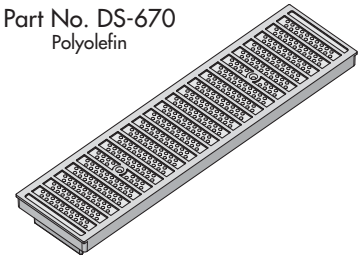
Part No. DS-231 Cast Iron  
DS-232 Ductile Iron



Part Nos. 660-665  
Polyolefin



Part No. DS-670  
Polyolefin



Part No.	Description	Color	Pkg. Qty.	Wt. Ea. (lbs.)	Inflow Capacity (GPM)	Specifications
660	2 ft. Trench Drain Grate	White	12	2.92	27	2 ft. structural foam polyolefin secured trench drain grate with UV inhibitors. ADA compliant. Open surface area 20.61 square inches per foot.
661	2 ft. Trench Drain Grate	Dark Gray	12	2.92	27	
661LG	2 ft. Trench Drain Grate	Gray	12	2.92	27	
662	2 ft. Trench Drain Grate	Green	12	2.92	27	
663	2 ft. Trench Drain Grate	Black	12	2.92	27	
664	2 ft. Trench Drain Grate	Sand	12	2.92	27	
665	2 ft. Trench Drain Grate	Brick Red	12	2.92	27	
DS-670	2 ft. Plastic Perforated Trench Drain Grate	Gray	12	3.0	11.3	2 ft. structural foam polyolefin, secured trench drain grate with UV inhibitors, light traffic rated, heel-proof, ADA compliant. Open surface area 9.36 square inches per foot. .
DS-231	2 ft. Cast Iron Trench Drain Grate	Black	1	15.00	22.6	2 ft. heavy duty cast iron trench drain grate. ADA compliant Open surface area 15.27 square inches per foot. H-20 Load Rating.
DS-232	2 ft. Ductile Iron Trench Drain Grate	Black	1	16.00	22.6	2 ft. heavy duty ductile iron trench drain grate. ADA compliant Open surface area 15.27 square inches per foot. H-20 Load Rating.

All Dura Slope™ Trench Drain Grates are ADA Compliant  
 Part No. DS-670 is Heel-Proof  
 Use with Dura Slope™ Trench Drains and Dura Slope™ Catch Basins



# DURA SLOPE™ RADIUS COUPLINGS

Dura Slope™ radius couplings are made from 100% high density polyethylene, and are injection molded to exacting specifications.

Each radius coupling comes with a plastic (HDPE) standard grate attached with two grate screws. The standard grate can be utilized as a blank grate insert (eliminating the use of plywood during installation), but also functions as a plastic grate with a Class B load rating of 61-175 psi.

## Radius Coupling Depths

Dura Slope™ radius couplings are available in four neutral depths, and were designed to connect neutral Dura Slope™ trench drain sections of the same depth. For a guide to the Dura Slope™ trench drain sections and their corresponding radius coupling, see the table below:



DSRC-103

DSRC-097

Radius Coupling Part Number and Description	Corresponding Dura Slope™ Trench Drain
DSRC-097: 6.35" Deep Dura Slope™ Radius Coupling	DS-097N: 6.35" Deep Neutral Dura Slope™ Trench Drain
DSRC-100: 7.36" Deep Dura Slope™ Radius Coupling	DS-100N: 7.36" Deep Neutral Dura Slope™ Trench Drain
DSRC-103: 8.37" Deep Dura Slope™ Radius Coupling	DS-103N: 8.37" Deep Neutral Dura Slope™ Trench Drain
DSRC-106: 9.37" Deep Dura Slope™ Radius Coupling	DS-106N: 9.37" Deep Neutral Dura Slope™ Trench Drain

**NDS Customer Service**

851 N. Harvard Ave, Lindsay, CA 93247  
 Phone: (800) 726-1994 • (559) 562-9888  
 Fax: (800) 726-1998 • (559) 562-4488  
[www.NDSPRO.com](http://www.NDSPRO.com)

# DURA SLOPE™ RADIUS COUPLING GRATES



Part No. DS-681LGMG  
(included with every radius  
coupling)

Part Nos. DS-660MG - 665MG  
Polyolefin

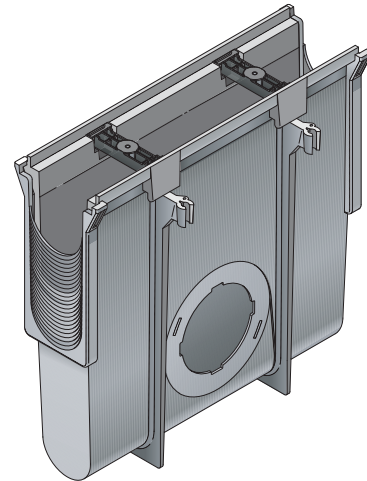
Part No. DS-232MG  
Ductile Iron

Part No.	Description	Color	Pkg. Qty.	Wt. Ea. (lbs.)	Load Class	Specifications
DS-660MG	1.25" Plastic Slotted Radius Coupling Grate	White	6	0.08	Class B (61-175 psi)	Structural Foam Polyolefin Radius Coupling Mini Grate with UV inhibitors
DS-661MG	1.25" Plastic Slotted Radius Coupling Grate	Dark Gray	6	0.08	Class B (61-175 psi)	Structural Foam Polyolefin Radius Coupling Mini Grate with UV inhibitors
DS-661LGMG	1.25" Plastic Slotted Radius Coupling Grate	Light Gray	6	0.08	Class B (61-175 psi)	Structural Foam Polyolefin Radius Coupling Mini Grate with UV inhibitors
DS-662MG	1.25" Plastic Slotted Radius Coupling Grate	Green	6	0.08	Class B (61-175 psi)	Structural Foam Polyolefin Radius Coupling Mini Grate with UV inhibitors
DS-663MG	1.25" Plastic Slotted Radius Coupling Grate	Black	6	0.08	Class B (61-175 psi)	Structural Foam Polyolefin Radius Coupling Mini Grate with UV inhibitors
DS-664MG	1.25" Plastic Slotted Radius Coupling Grate	Sand	6	0.08	Class B (61-175 psi)	Structural Foam Polyolefin Radius Coupling Mini Grate with UV inhibitors
DS-665MG	1.25" Plastic Slotted Radius Coupling Grate	Brick Red	6	0.08	Class B (61-175 psi)	Structural Foam Polyolefin Radius Coupling Mini Grate with UV inhibitors
DS-681LGMG	1.25" Plastic Standard Radius Coupling Grate	Light Gray	6	0.16	Class B (61-175 psi)	Structural Foam Polyolefin Radius Coupling Mini Grate with UV inhibitors
DS-232MG	1.25" Ductile Iron Radius Coupling Grate	Black	6	0.93	Class D (326-575 psi)	Heavy Duty Ductile Iron Radius Coupling Mini Grate

All Dura Slope™ Radius Coupling Grates are ADA Compliant  
Part No. DS-681LGMG is Heel-Proof

# DURA SLOPE™ CATCH BASIN

The Dura Slope™ in-line Catch Basin is designed to fit all depth ranges of the Dura Slope™ trench drain sections. Catch basin inlets are designed to be sized as required to accept the Dura Slope™ trench drain section. The Dura Slope™ catch basin is 2 feet long and 2 feet deep with an outlet on both sides of the basin. One Universal Adapter Plug, one blank grate insert and two grate screws are included with each Dura Slope™ in-line catch basin. NDS universal basin outlets are used to adapt the catch basin to 3", 4", 6" and 8" pipe.

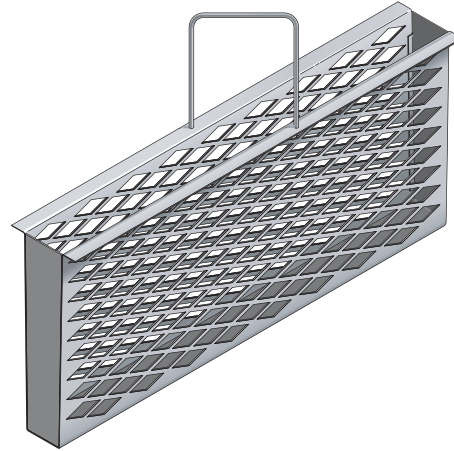


Part No.	Description	Color	Pkg. Qty.	Wt. Ea. (lbs.)	Product Class
DS-340	Dura Slope in-line Catch Basins  DS-340 Available for use of one or two outlets Use #1242, #1243, #1245, #1266, #1206, or #1888 Universal Outlets	Gray	1	12.00	25DS

Note: All dimensions are nominal. All weights are for shipping purposes only. Availability is subject to change.

# DURA SLOPE™ TRASH BUCKET

The Dura Slope™ Trash Bucket is made to fit inside the Dura Slope™ Catch Basin (part number DS-340). It has a handle for easy removal to clean leaves and debris; it requires removal of the grate. Made of zinc plated steel, it is durable to climatic conditions. The Trash Bucket is not intended for use with any of the Dura Slope™ trench drains..



Note – DS-240 Trash Bucket is not for use with the DS-200 Ductile Iron Frame.

Part No.	Description	Color	Pkg. Qty.	Wt. Ea. (lbs.)	Product Class
DS-240	Dura Slope Trash Bucket Trash Bucket fits inside DS340 Catch Basin Note – DS-240 Trash Bucket is not for use with the DS-200 Ductile Iron Frame.	Steel Zinc Plated Steel	1	5.0	25DS

Note: All dimensions are nominal. All weights are for shipping purposes only. Availability is subject to change.

## EZ-Track™ Applications

The majority of full track applications will require a radius within 80 –130 feet, as recommended by the American Sports Builders Association (ASBA).

Depth of the trench drain, sloped vs. non-sloped runs, and number of catch basins required per system will vary with the volume of water and surface area requiring drainage, and should be assessed on a site-to-site basis.

Following are two potential track applications and the materials list for each.

### Application Example 1:

Track Radius: 103 ft. (complies with standards set for NFHS competition)

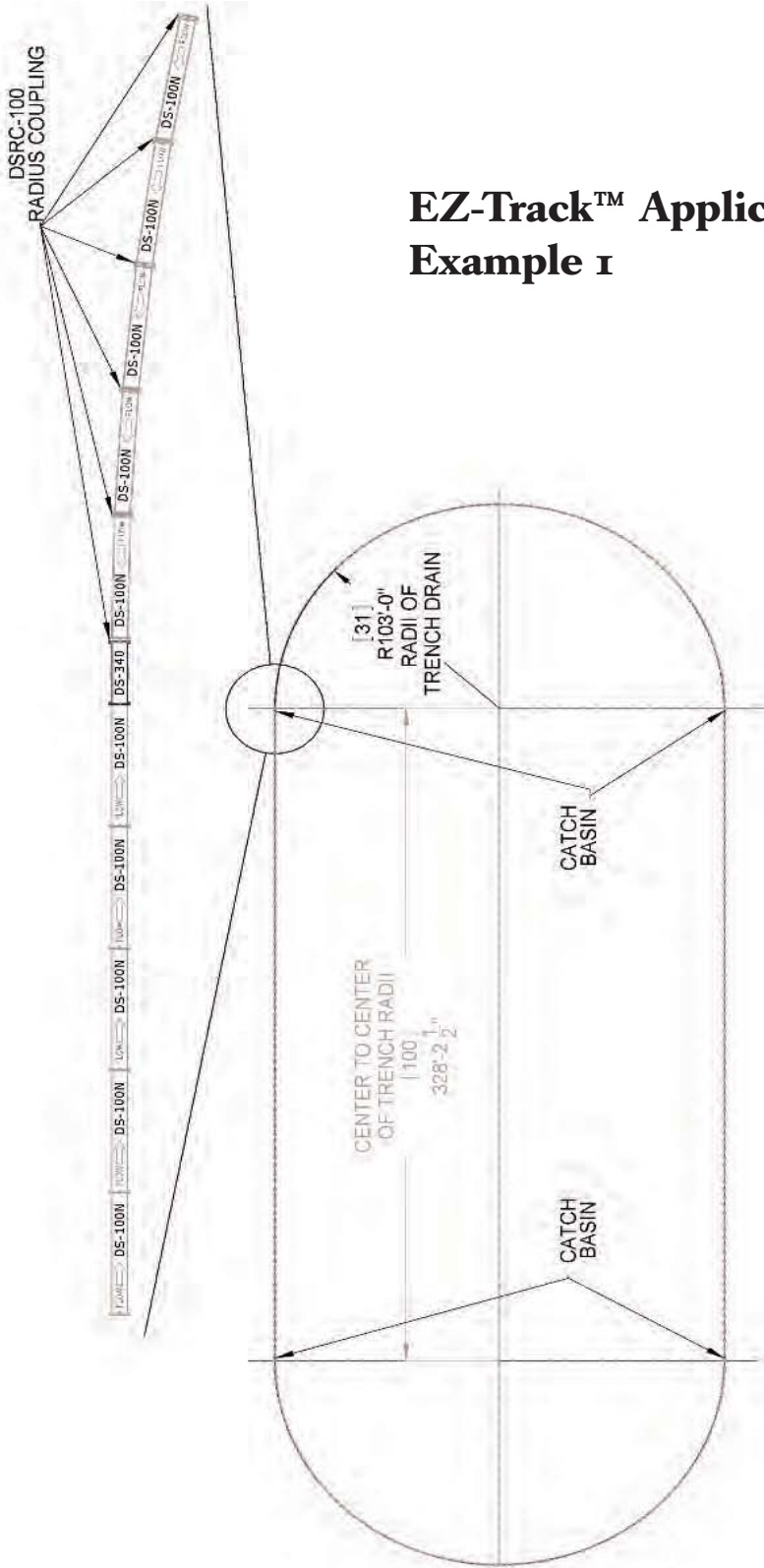
Sloped or Non-Sloped: All non-sloped

Number of Catch Basins: 4

Trench Drain Depth: 7.36"

Grate Selection: Ductile Iron (black).

Qty	Description	Part Number	Package Qty.
320	4' x 7.36" Dura Slope™ Trench Drain	DS-100N	1
644	2' Ductile Iron Trench Drain Grate	DS-232	1
4	2' Dura Slope™ In-Line Catch Basin	DS-340	1
4	6" Universal Locking Outlet	1266	20
160	1.125" x 7.36" Dura Slope™ Radius Coupling	DSRC-100	6
160	1.25" Radius Coupling Ductile Iron Mini Grate	DS-232MG	6



**EZ-Track™ Application  
Example 1**

**Application Example 2:**

Track Radius: 103 ft. (complies with standards set for NFHS competition)

Sloped or Non-Sloped: Non-sloped on radii, sloped on straight runs

Number of Catch Basins: 4

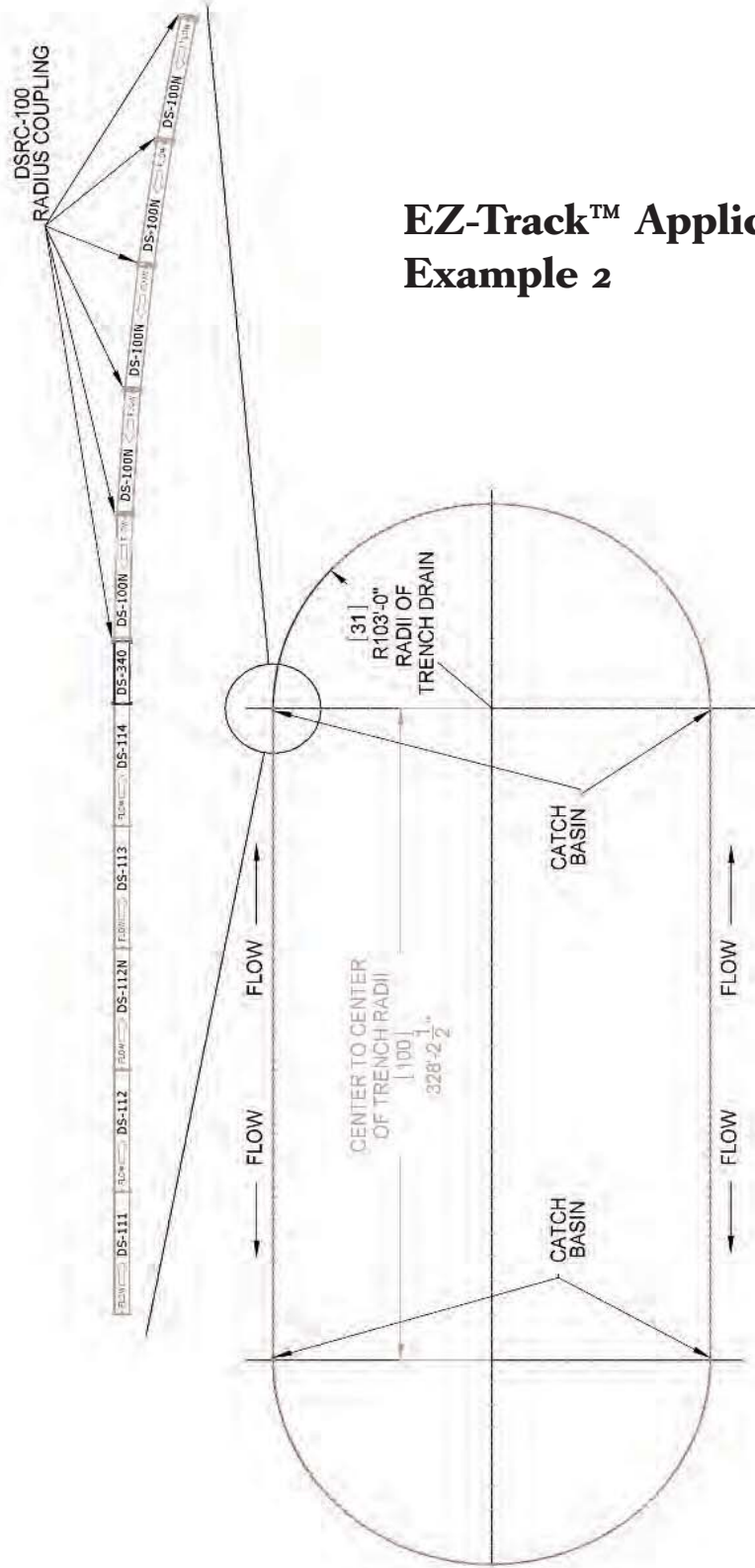
Trench Drain Depth: 7.36" on the radii, 3.99" to 12.06" on straight runs

Grate Selection: Plastic slotted (light gray)

**Materials List:**

Qty	Description	Part Number
6	3.99" Deep Neutral Dura Slope™ Trench Drain	DS-090N
4	3.99" to 4.34" Deep Dura Slope™ Trench Drain	DS-091
8	4.34" Deep Neutral Dura Slope™ Trench Drain	DS-091N
4	4.34" to 4.67" Deep Dura Slope™ Trench Drain	DS-092
4	4.67" to 5.00" Deep Dura Slope™ Trench Drain	DS-093
4	5.00" to 5.34" Deep Dura Slope™ Trench Drain	DS-094
8	5.34" Deep Neutral Dura Slope™ Trench Drain	DS-094N
4	5.34" to 5.68" Deep Dura Slope™ Trench Drain	DS-095
4	5.68" to 6.01" Deep Dura Slope™ Trench Drain	DS-096
4	6.01" to 6.35" Deep Dura Slope™ Trench Drain	DS-097
8	6.35" Deep Neutral Dura Slope™ Trench Drain	DS-097N
4	6.35" to 6.69" Deep Dura Slope™ Trench Drain	DS-098
4	6.69" to 7.02" Deep Dura Slope™ Trench Drain	DS-099
4	7.02" to 7.36" Deep Dura Slope™ Trench Drain	DS-100
166	7.36" Deep Neutral Dura Slope™ Trench Drain	DS-100N
4	7.36" to 7.69" Deep Dura Slope™ Trench Drain	DS-101
4	7.69" to 8.03" Deep Dura Slope™ Trench Drain	DS-102
4	8.03" to 8.37" Deep Dura Slope™ Trench Drain	DS-103
8	8.37" Deep Neutral Dura Slope™ Trench Drain	DS-103N
4	8.37" to 8.70" Deep Dura Slope™ Trench Drain	DS-104
4	8.70" to 9.04" Deep Dura Slope™ Trench Drain	DS-105
4	9.04" to 9.37" Deep Dura Slope™ Trench Drain	DS-106
8	9.37" Deep Neutral Dura Slope™ Trench Drain	DS-106N
4	9.37" to 9.70" Deep Dura Slope™ Trench Drain	DS-107
4	9.70" to 10.05" Deep Dura Slope™ Trench Drain	DS-108
4	10.05" to 10.38" Deep Dura Slope™ Trench Drain	DS-109
8	10.38" Deep Neutral Dura Slope™ Trench Drain	DS-109N
4	10.38" to 10.71" Deep Dura Slope™ Trench Drain	DS-110
4	10.71" to 11.05" Deep Dura Slope™ Trench Drain	DS-111
4	11.05" to 11.39" Deep Dura Slope™ Trench Drain	DS-112
4	11.39" Deep Neutral Dura Slope™ Trench Drain	DS-112N
4	11.39" to 11.72" Deep Dura Slope™ Trench Drain	DS-113
4	11.72" to 12.06" Deep Dura Slope™ Trench Drain	DS-114
644	2' Plastic Channel Grate	661
4	2' Dura Slope™ In-Line Catch Basin	DS-340
4	8" Universal Outlet	1888
160	1.125" x 7.36" Dura Slope™ Radius Coupling	DSRC-100
160	1.25" Plastic Slotted Radius Coupling Mini Grate	DS-681LGMG

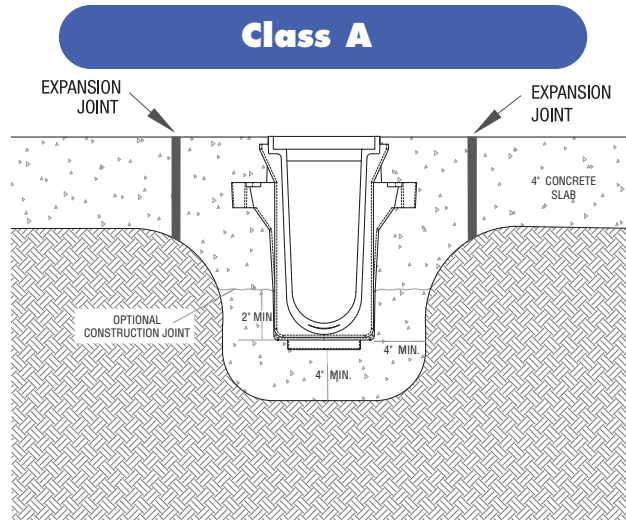
**EZ-Track™ Application Example 2**





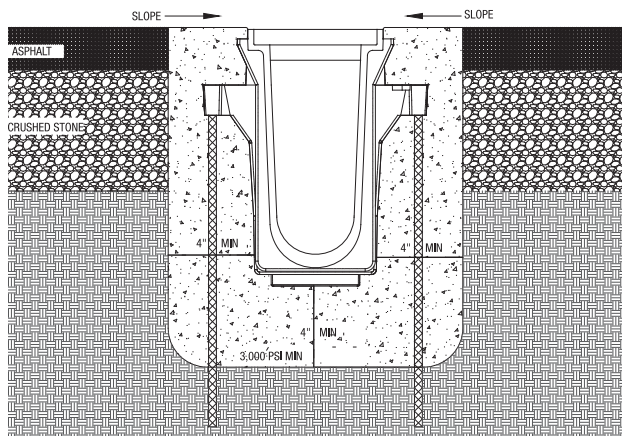
## LOAD CLASS INSTALLATION

Note: For all load class installations recess Dura Slope below grade: 1/4" for vehicular traffic, 1/8" for pedestrian traffic. When using iron frame DS-200 no additional recess is needed.

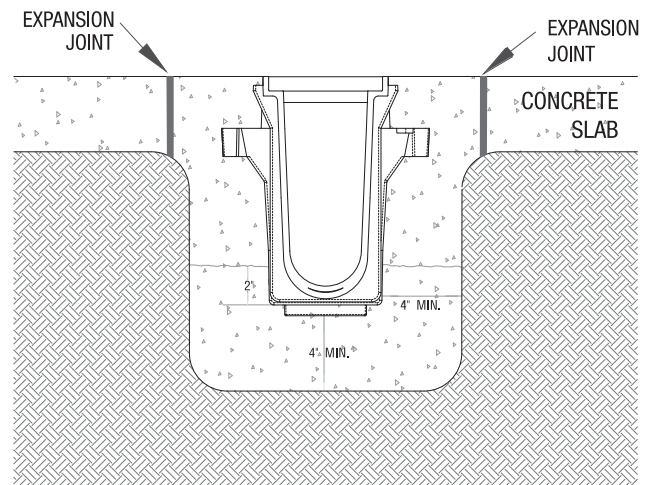


Set trench drain in channel surrounded by 4" of concrete or thickness of the concrete slab with a minimum of 2,500 psi.

## Class B



Set trench drain in channel surrounded by 4" of concrete with a minimum of 3,000 psi. Install #4 re-bar to stabilize drain while concrete is being poured. Make sure re-bar is 1" below finished surface.

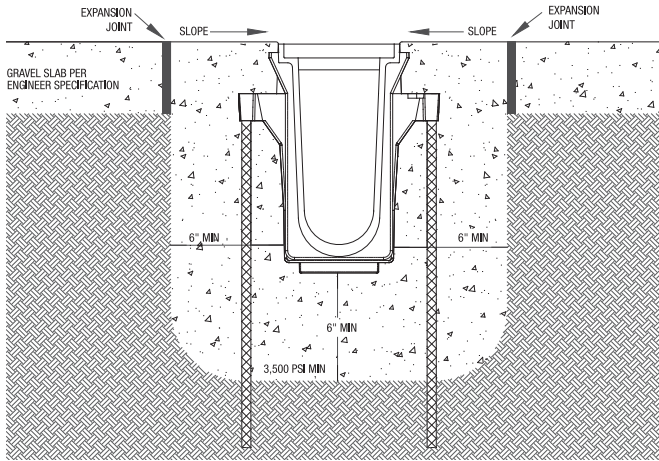


Set trench drain in channel surrounded by 4" of concrete or thickness of the concrete slab with a minimum of 3,000 psi.

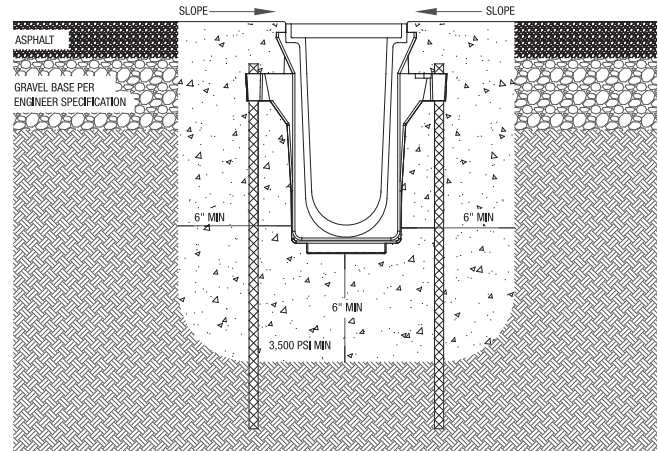
# LOAD CLASS INSTALLATION

Note: For all load class installations recess Dura Slope below grade: 1/4" for vehicular traffic, 1/8" for pedestrian traffic. When using iron frame DS-200 no additional recess is needed.

## Class C

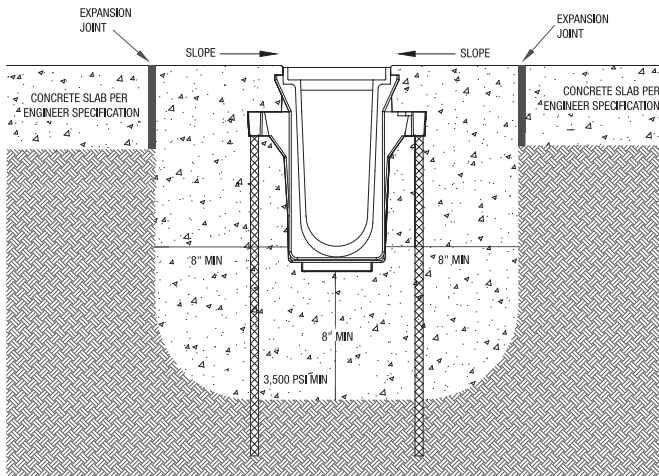


Set trench drain in channel surrounded by 6" of concrete with a minimum of 3,500 psi. Install #4 re-bar to stabilize drain while concrete is being poured. Make sure re-bar is 1" below finished surface.



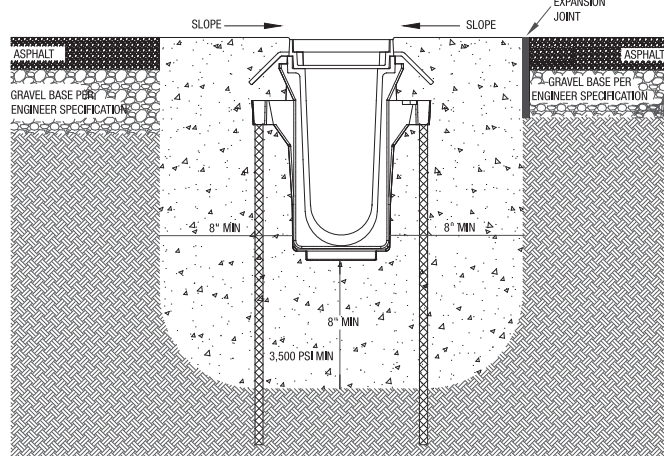
Set trench drain in channel surrounded by 6" of concrete with a minimum of 3,500 psi. Install #4 re-bar to stabilize drain while concrete is being poured. Make sure re-bar is 1" below finished surface.

## Class D



Set trench drain in channel surrounded by 8" of concrete with a minimum of 3,500 psi. Install #4 re-bar to stabilize drain while concrete is being poured. Make sure re-bar is 1" below finished surface.

USE ONLY DS-231 CAST IRON  
OR DS-232 DUCTILE IRON GRATES  
WITH DUCTILE IRON FRAME



Set trench drain in channel surrounded by 8" of concrete with a minimum of 3,500 psi. Install #4 re-bar to stabilize drain while concrete is being poured. Make sure re-bar is 1" below finished surface.

### NDS Customer Service

851 N. Harvard Ave, Lindsay, CA 93247  
Phone: (800) 726-1994 • (559) 562-9888  
Fax: (800) 726-1998 • (559) 562-4488  
[www.NDSPRO.com](http://www.NDSPRO.com)



**NDS Customer Service**  
851 N. Harvard Ave, Lindsay, CA 93247  
Phone: (800) 726-1994 • (559) 562-9888  
Fax: (800) 726-1998 • (559) 562-4488  
[www.NDSPRO.com](http://www.NDSPRO.com)